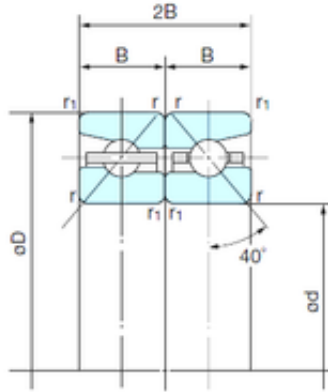




# KFY MANUFACTURING MEXICO LIMITED

110 mm x 170 mm x 27 mm NACHI  
110TBH10DB angular contact ball bearings



Bearing No. 110TBH10DB

Size	110x170x27 mm
Bore Diameter	110 mm
Outer Diameter	170 mm
Width	27 mm
d	110 mm
D	170 mm
B	27 mm
Angle ( ° )	40 °
r min.	2 mm
r1 min.	1 mm
2B	54 mm
Basic dynamic load rating (C)	86 kN
Basic static load rating (C0)	249 kN
(Grease) Lubrication Speed	3600 r/min

110TBH10DB Bearing 2D drawings and 3D CAD models