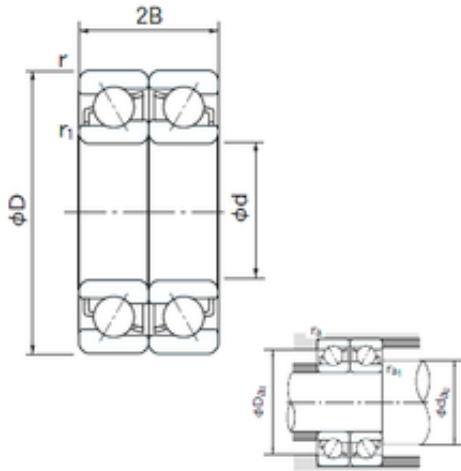




KFY MANUFACTURING MEXICO LIMITED



7303BDF Bearing 2D drawings and 3D CAD models

17 mm x 47 mm x 14 mm NACHI 7303BDF
angular contact ball bearings

Bearing No. 7303BDF

Size	17x47x14 mm
Bore Diameter	17 mm
Outer Diameter	47 mm
Width	14 mm
d	17 mm
D	47 mm
B	14 mm
C	14 mm
Angle (°)	40 °
a	6.4 mm
r min.	1 mm
r1 min.	0.6 mm
2B	28 mm
da min.	21 mm
Da max.	43.4 mm
ra max.	0.6 mm
Weight	0.120 Kg
Basic dynamic load rating (C)	24,7 kN
Basic static load rating (C0)	16,5 kN
(Grease) Lubrication Speed	10000 r/min
Bore Type	Cylindrical Bore
Enclosure	Open
Configuration	Duplex
Bore Size	17 mm
Outside Diameter	47 mm



KFY MANUFACTURING MEXICO LIMITED

Width	14 mm
Fillet Radius/Chamfer	1 mm
r1	0.6 mm
Dynamic Load Rating	24,700 N
Static Load Rating	16,500 N
Limiting Speed - Grease	10,000 rpm
Limiting Speed - Oil	14,000 rpm
da1 (min)	23 mm
da2 (min)	21 mm
Da1 (max)	41 mm
Da2 (max)	43.4 mm
ra (max)	1 mm
ra1 (max)	0.6 mm