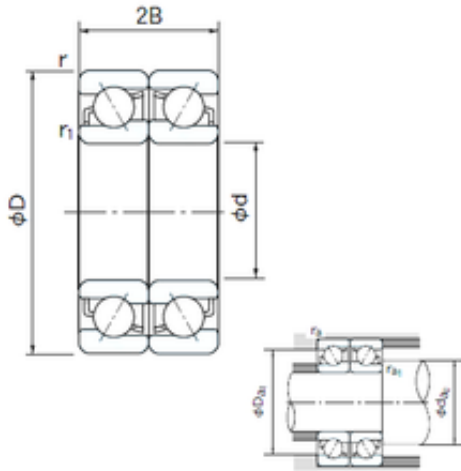




KFY MANUFACTURING MEXICO LIMITED



20 mm x 52 mm x 15 mm NACHI 7304DF
angular contact ball bearings

Bearing No. 7304DF

7304DF Bearing 2D drawings and 3D CAD models

Size	20x52x15 mm
Bore Diameter	20 mm
Outer Diameter	52 mm
Width	15 mm
d	20 mm
D	52 mm
B	15 mm
C	15 mm
Angle (°)	30 °
a	2.9 mm
r min.	1.1 mm
r1 min.	0.6 mm
2B	30 mm
da min.	25 mm
Da max.	47 mm
ra max.	0.6 mm
Weight	0.150 Kg
Basic dynamic load rating (C)	30,5 kN
Basic static load rating (C0)	20,8 kN
(Grease) Lubrication Speed	10000 r/min
Bore Type	Cylindrical Bore
Enclosure	Open
Configuration	Duplex
Bore Size	20 mm
Outside Diameter	52 mm



KFY MANUFACTURING MEXICO LIMITED

Width	15 mm
Fillet Radius/Chamfer	1.1 mm
r1	0.6 mm
Dynamic Load Rating	30,500 N
Static Load Rating	20,800 N
Limiting Speed - Grease	10,000 rpm
Limiting Speed - Oil	13,000 rpm
da1 (min)	27 mm
da2 (min)	25 mm
Da1 (max)	45 mm
Da2 (max)	47 mm
ra (max)	1 mm
ra1 (max)	0.6 mm