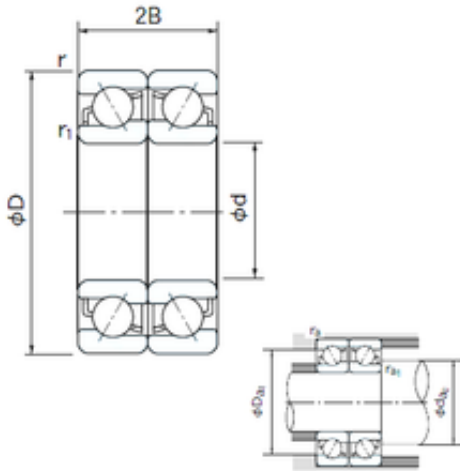




# KFY MANUFACTURING MEXICO LIMITED



7024CDF Bearing 2D drawings and 3D CAD models

120 mm x 180 mm x 28 mm NACHI 7024CDF  
angular contact ball bearings

Bearing No. 7024CDF

Size	120x180x28 mm
Bore Diameter	120 mm
Outer Diameter	180 mm
Width	28 mm
d	120 mm
D	180 mm
B	28 mm
C	28 mm
Angle ( ° )	15 °
a	3.3 mm
r min.	2 mm
r1 min.	1 mm
2B	56 mm
da min.	128 mm
Da max.	175 mm
ra max.	1 mm
Weight	2.27 Kg
Basic dynamic load rating (C)	178 kN
Basic static load rating (C0)	223 kN
(Grease) Lubrication Speed	4200 r/min
Bore Type	Cylindrical Bore
Enclosure	Open
Configuration	Duplex
Bore Size	120 mm
Outside Diameter	180 mm



## KFY MANUFACTURING MEXICO LIMITED

Width	28 mm
Fillet Radius/Chamfer	2 mm
r1	1 mm
Dynamic Load Rating	178,000 N
Static Load Rating	223,000 N
Limiting Speed - Grease	4,200 rpm
Limiting Speed - Oil	5,800 rpm
da1 (min)	128 mm
da2 (min)	128 mm
Da1 (max)	172 mm
Da2 (max)	175 mm
ra (max)	2 mm
ra1 (max)	1 mm