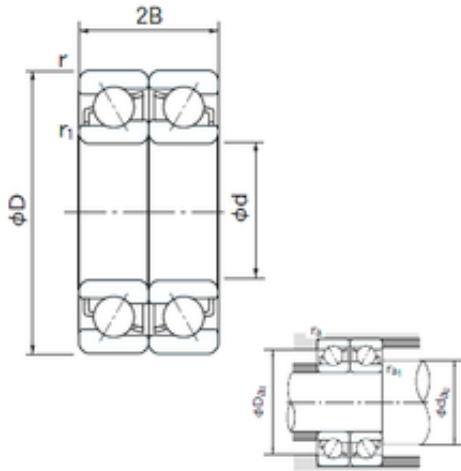




KFY MANUFACTURING MEXICO LIMITED



65 mm x 140 mm x 33 mm NACHI 7313DF
angular contact ball bearings

Bearing No. 7313DF

7313DF Bearing 2D drawings and 3D CAD models

Size	65x140x33 mm
Bore Diameter	65 mm
Outer Diameter	140 mm
Width	33 mm
d	65 mm
D	140 mm
B	33 mm
C	33 mm
Angle (°)	30 °
a	13.1 mm
r min.	2.1 mm
r1 min.	1.1 mm
2B	66 mm
da min.	72 mm
Da max.	133 mm
ra max.	1 mm
Weight	2.22 Kg
Basic dynamic load rating (C)	180 kN
Basic static load rating (C0)	165 kN
(Grease) Lubrication Speed	3600 r/min
Bore Type	Cylindrical Bore
Enclosure	Open
Configuration	Duplex
Bore Size	65 mm
Outside Diameter	140 mm



KFY MANUFACTURING MEXICO LIMITED

Width	33 mm
Fillet Radius/Chamfer	2.1 mm
r1	1.1 mm
Dynamic Load Rating	180,000 N
Static Load Rating	165,000 N
Limiting Speed - Grease	3,600 rpm
Limiting Speed - Oil	4,700 rpm
da1 (min)	77 mm
da2 (min)	72 mm
Da1 (max)	128 mm
Da2 (max)	133 mm
ra (max)	2 mm
ra1 (max)	1 mm