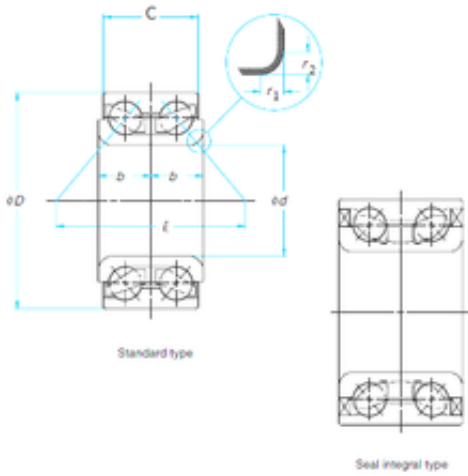




KFY MANUFACTURING MEXICO LIMITED

40 mm x 74 mm x 36 mm CYSD DAC4074036/34 angular contact ball bearings



Bearing No. DAC4074036/34

Size	40x74x36 mm
Bore Diameter	40 mm
Outer Diameter	74 mm
Width	36 mm
d	40 mm
D	74 mm
B	36 mm
C	36 mm

DAC4074036/34 Bearing 2D drawings and 3D CAD models