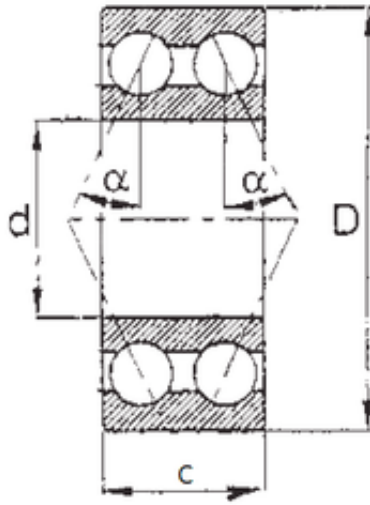




KFY MANUFACTURING MEXICO LIMITED



40 mm x 90 mm x 36,5 mm FBJ 5308 angular contact ball bearings

Bearing No. 5308

Size	40x90x36.5 mm
Bore Diameter	40 mm
Outer Diameter	90 mm
Width	36,5 mm
d	40 mm
D	90 mm
B	36,5 mm
C	36,5 mm
Angle ()	25 °
Weight	1,01 Kg
Basic dynamic load rating (C)	60,5 kN
Basic static load rating (C0)	44 kN
(Grease) Lubrication Speed	4400 r/min

5308 Bearing 2D drawings and 3D CAD models