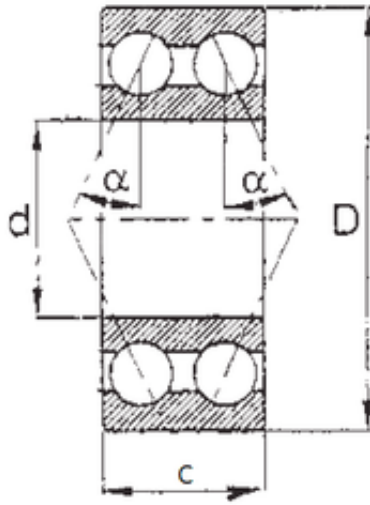




KFY MANUFACTURING MEXICO LIMITED



50 mm x 90 mm x 30,162 mm FBJ 5210 angular contact ball bearings

Bearing No. 5210

| | |
|-------------------------------|-----------------|
| Size | 50x90x30.162 mm |
| Bore Diameter | 50 mm |
| Outer Diameter | 90 mm |
| Width | 30,162 mm |
| d | 50 mm |
| D | 90 mm |
| B | 30,162 mm |
| C | 30,162 mm |
| Angle () | 25 ° |
| Weight | 0,67 Kg |
| Basic dynamic load rating (C) | 53,3 kN |
| Basic static load rating (C0) | 43,6 kN |
| (Grease) Lubrication Speed | 4300 r/min |

5210 Bearing 2D drawings and 3D CAD models