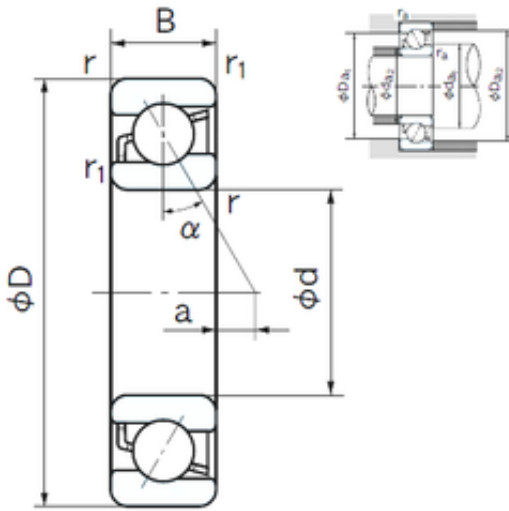




KFY MANUFACTURING MEXICO LIMITED



200 mm x 360 mm x 58 mm NACHI 7240B
angular contact ball bearings

Bearing No. 7240B

7240B Bearing 2D drawings and 3D CAD models

Size	200x360x58 mm
Bore Diameter	200 mm
Outer Diameter	360 mm
Width	58 mm
d	200 mm
D	360 mm
B	58 mm
C	58 mm
Angle (°)	40 °
a	88.5 mm
r min.	4 mm
r1 min.	1.5 mm
da min.	218 mm
Da max.	342 mm
ra max.	3 mm
Weight	25.5 Kg
Basic dynamic load rating (C)	315 kN
Basic static load rating (C0)	420 kN
(Grease) Lubrication Speed	1300 r/min
Configuration	Single Row
Enclosure	Open
Bore Type	Cylindrical Bore
Bore Size	200 mm
Outside Diameter	360 mm
Width	58 mm



KFY MANUFACTURING MEXICO LIMITED

Fillet Radius/Chamfer	4 mm
r1	1.5 mm
Dynamic Load Rating	315,000 N
Static Load Rating	420,000 N
Limiting Speed - Grease	1,300 rpm
Limiting Speed - Oil	1,900 rpm
da1 (min)	218 mm
da2 (min)	209 mm
Da1 (max)	342 mm
Da2 (max)	351 mm
ra (max)	3 mm
ra1 (max)	1.5 mm