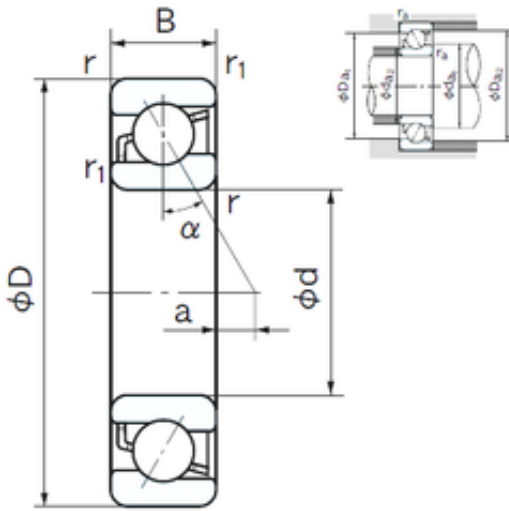




KFY MANUFACTURING MEXICO LIMITED



160 mm x 290 mm x 48 mm NACHI 7232
angular contact ball bearings

Bearing No. 7232

7232 Bearing 2D drawings and 3D CAD models

Size	160x290x48 mm
Bore Diameter	160 mm
Outer Diameter	290 mm
Width	48 mm
d	160 mm
D	290 mm
B	48 mm
C	48 mm
Angle (°)	30 °
a	41.0 mm
r min.	3 mm
r1 min.	1.1 mm
da min.	174 mm
Da max.	276 mm
ra max.	2.5 mm
Weight	13.7 Kg
Basic dynamic load rating (C)	263 kN
Basic static load rating (C0)	305 kN
(Grease) Lubrication Speed	1900 r/min
Configuration	Single Row
Enclosure	Open
Bore Type	Cylindrical Bore
Bore Size	160 mm
Outside Diameter	290 mm
Width	48 mm



KFY MANUFACTURING MEXICO LIMITED

Fillet Radius/Chamfer	3 mm
r1	1.1 mm
Dynamic Load Rating	263,000 N
Static Load Rating	305,000 N
Limiting Speed - Grease	1,900 rpm
Limiting Speed - Oil	2,600 rpm
da1 (min)	174 mm
da2 (min)	167 mm
Da1 (max)	276 mm
Da2 (max)	283 mm
ra (max)	2.5 mm
ra1 (max)	1 mm