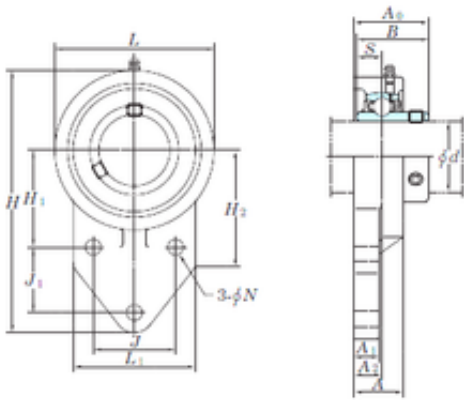




**KOYO UCFB209 bearing units**



Bearing No. UCFB209

Bore Diameter	45 mm
d	45 mm
A0	50,2 mm
A	34 mm
A1	18 mm
B	49,2 mm
H	174 mm
H1	65 mm
H2	76 mm
J	54 mm
L	106 mm
L1	80 mm
N	11 mm
S	19 mm
Bolt (G)	M10
A2	20 mm
J1	43 mm
Weight	2 Kg
Basic dynamic load rating (C)	34,1 kN
Basic static load rating (C0)	21,3 kN

UCFB209 Bearing 2D drawings and 3D CAD models