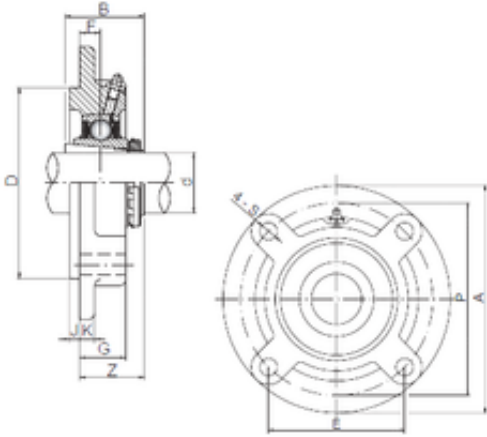




KFY MANUFACTURING MEXICO LIMITED

40 mm x 105 mm x 50 mm ISO UKFC209
bearing units



Bearing No. UKFC209

Bore Diameter	40 mm
d	40 mm
P	132 mm
Z	36 mm
A	160 mm
B	50 mm
D	105 mm
E	93,3 mm
F	10 mm
G	26 mm
J	12 mm
K	14 mm
S	16 mm
Bolt (G)	M14

UKFC209 Bearing 2D drawings and 3D CAD models