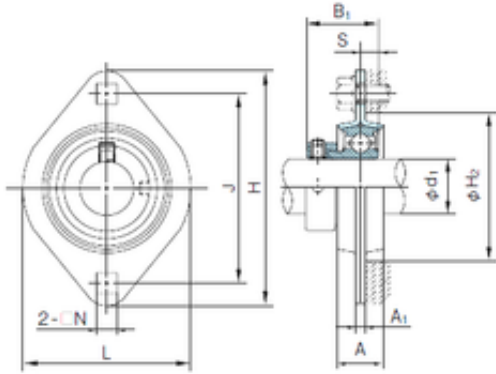




KFY MANUFACTURING MEXICO LIMITED

NACHI KHPFL204A bearing units



Bearing No. KHPFL204A

| | |
|---------------|---------|
| Bore Diameter | 20 mm |
| d | 20 mm |
| H | 90 mm |
| A | 16 mm |
| A1 | 4 mm |
| B | 31 mm |
| H2 | 56 mm |
| J | 71.5 mm |
| L | 67 mm |
| N | 9 mm |
| S | 7.5 mm |
| Bolt (G) | M8 |

KHPFL204A Bearing 2D drawings and 3D CAD models