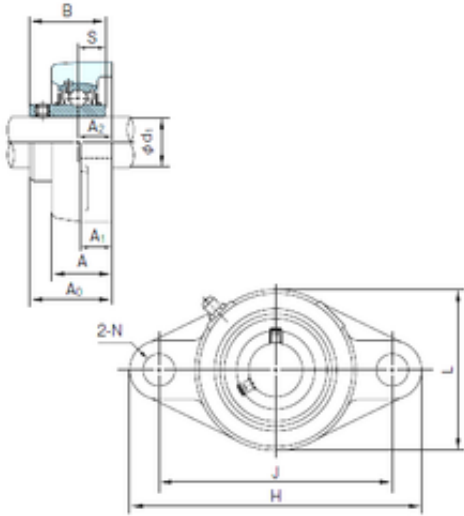




KFY MANUFACTURING MEXICO LIMITED



NACHI UCFL310 bearing units

Bearing No. UCFL310

| | |
|---------------|--------|
| Bore Diameter | 50 mm |
| d1 | 50 mm |
| A0 | 67 mm |
| A | 48 mm |
| A1 | 19 mm |
| B | 61 mm |
| H | 240 mm |
| J | 187 mm |
| L | 140 mm |
| L1 | 144 mm |
| N | 25 mm |
| S | 22 mm |
| Bolt (G) | M22 |
| A2 | 28 mm |

UCFL310 Bearing 2D drawings and 3D CAD models