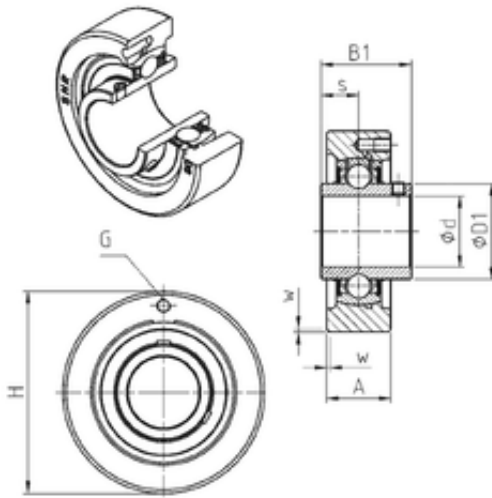




# KFY MANUFACTURING MEXICO LIMITED



UCC316 Bearing 2D drawings and 3D CAD models

## SNR UCC316 bearing units

Bearing No. UCC316

Bore Diameter	80 mm
d	80 mm
s	34 mm
A	60 mm
B1	86 mm
D1	107,9 mm
H	200 mm
W	4 mm
Thread (G)	M10x1
Weight	9,6 Kg
Basic dynamic load rating (C)	122,85 kN
B	86 mm
A3	4 mm
A5	52 mm
G	M10x1
s1	43 mm
S	34 mm
SW	6 mm
C	122.85 kN
C0	86.5 kN
T min.	-20 ° C
T max.	100 ° C
Recommended tightening torque for set screw	42 Nm
Designation of housing	C316-
Designation of bearing	UC316G2



# KFY MANUFACTURING MEXICO LIMITED