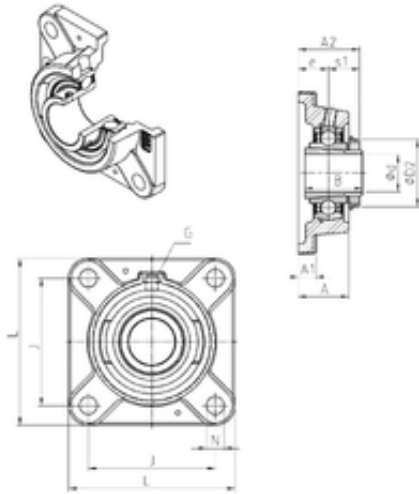




KFY MANUFACTURING MEXICO LIMITED

SNR UKFE211H bearing units

Bearing No. UKFE211H



UKFE211H Bearing 2D drawings and 3D CAD models

Bore Diameter	50 mm
d	50 mm
e	31 mm
s1	29 mm
A	48,5 mm
A1	15 mm
B	59 mm
D2	75 mm
J	130 mm
L	162 mm
N	18 mm
Thread (G)	R1/8"
A2	60 mm
Weight	3,7 Kg
Basic dynamic load rating (C)	43,55 kN