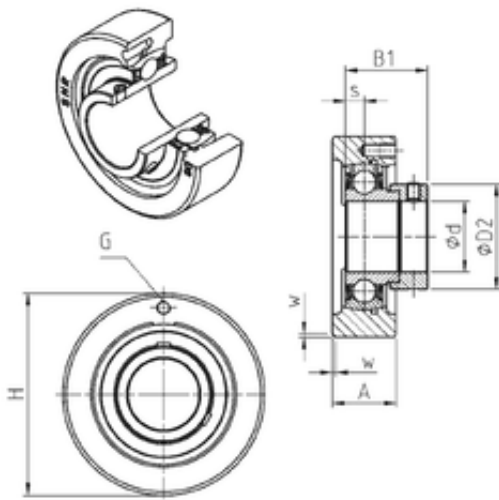




KFY MANUFACTURING MEXICO LIMITED



SNR ESC211 bearing units

Bearing No. ESC211

| | |
|---|----------|
| Bore Diameter | 55 mm |
| d | 55 mm |
| s | 12 mm |
| A | 35 mm |
| B1 | 48,4 mm |
| D2 | 76,2 mm |
| H | 125 mm |
| W | 2,5 mm |
| Thread (G) | M6x1 |
| Weight | 2 Kg |
| Basic dynamic load rating (C) | 43,55 kN |
| B | 32.5 mm |
| A3 | 2.5 mm |
| A5 | 20.5 mm |
| d1 | 74.5 mm |
| G | M6x1 |
| s1 | 36.95 mm |
| S | 12 mm |
| SW | 5 mm |
| C | 43.55 kN |
| C0 | 29.2 kN |
| T min. | -20 ° C |
| T max. | 100 ° C |
| Recommended tightening torque for set screw | 22 Nm |
| Designation of housing | C211- |

ESC211 Bearing 2D drawings and 3D CAD models



KFY MANUFACTURING MEXICO LIMITED

Designation of bearing

ES211G2