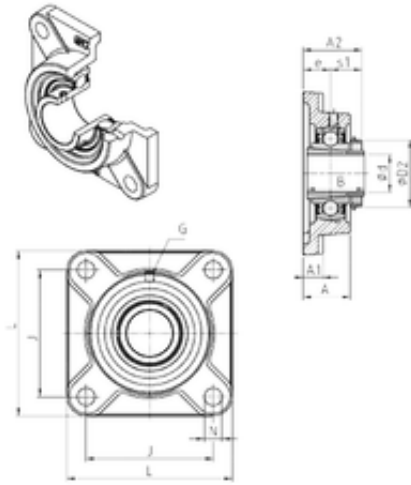




KFY MANUFACTURING MEXICO LIMITED

SNR UKF324H bearing units

Bearing No. UKF324H



UKF324H Bearing 2D drawings and 3D CAD models

Bore Diameter	110 mm
d	110 mm
e	65 mm
s1	65 mm
A	110 mm
A1	40 mm
B	112 mm
D2	155 mm
J	290 mm
L	370 mm
N	41 mm
Thread (G)	M10x1
A2	130 mm
Weight	51,9 Kg
Basic dynamic load rating (C)	228 kN