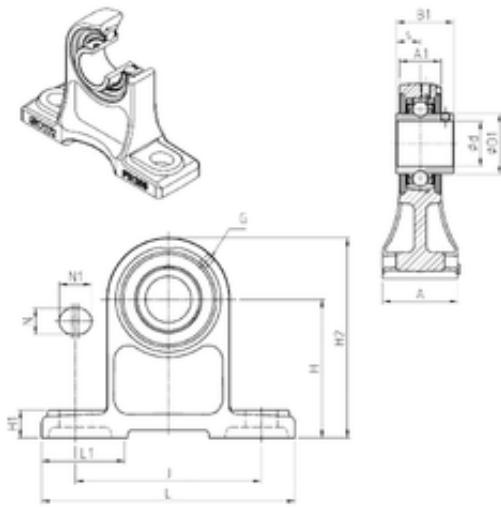




KFY MANUFACTURING MEXICO LIMITED



SNR UCPH203 bearing units

Bearing No. UCPH203

Bore Diameter	17 mm
d	17 mm
s	12,7 mm
A	40 mm
A1	22 mm
B1	31 mm
D1	29 mm
H	70 mm
H1	15 mm
H2	101 mm
J	95 mm
L	127 mm
L1	48 mm
N	13 mm
N1	19 mm
Thread (G)	M6x1
Weight	0,8 Kg
Basic dynamic load rating (C)	12,8 kN

UCPH203 Bearing 2D drawings and 3D CAD models