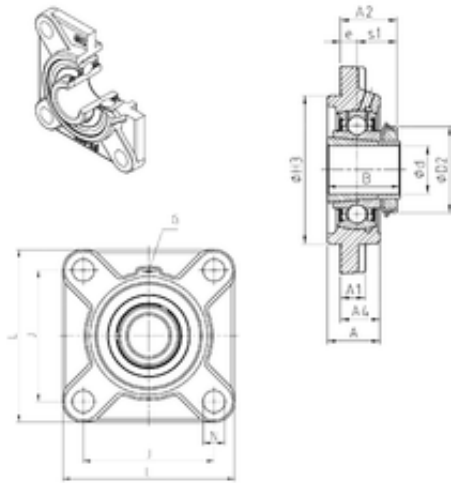




# KFY MANUFACTURING MEXICO LIMITED



## SNR UKFS305H bearing units

Bearing No. UKFS305H

Bore Diameter	20 mm
d	20 mm
H3	80 mm
A4	22 mm
e	9 mm
s1	21,5 mm
A	29 mm
A1	13 mm
B	35 mm
D1	35,4 mm
D2	38 mm
J	80 mm
L	110 mm
N	16 mm
Thread (G)	M6x1
A2	30,5 mm
Weight	1,4 Kg
Basic dynamic load rating (C)	22,36 kN

UKFS305H Bearing 2D drawings and 3D CAD models