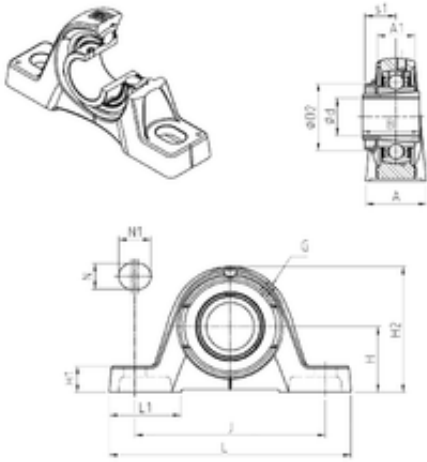




# KFY MANUFACTURING MEXICO LIMITED

## SNR UKPE215H bearing units

Bearing No. UKPE215H



UKPE215H Bearing 2D drawings and 3D CAD models

Bore Diameter	65 mm
d	65 mm
s1	35,5 mm
A	66 mm
A1	48 mm
B	73 mm
D2	98 mm
H	82,5 mm
H1	27,5 mm
H2	164 mm
J	210 mm
L	265 mm
L1	78 mm
N	22 mm
N1	30 mm
Thread (G)	R1/8"
Weight	6,8 Kg
Basic dynamic load rating (C)	66 kN