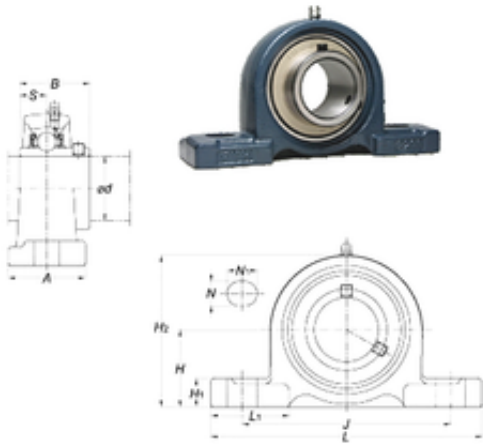




# KFY MANUFACTURING MEXICO LIMITED

## FYH UCPX12-39 bearing units



Bearing No. UCPX12-39

Bore Diameter	61,9125 mm
Width	65,1 mm
d	61,9125 mm
A	83 mm
B	65,1 mm
H	76,2 mm
H1	28 mm
H2	152 mm
J	203 mm
L	286 mm
L1	88 mm
N	25 mm
N1	40 mm
S	25,4 mm
Bolt (G)	M20
Weight	7,7 Kg
Basic dynamic load rating (C)	57,2 kN
Basic static load rating (C0)	40,1 kN

UCPX12-39 Bearing 2D drawings and 3D CAD models