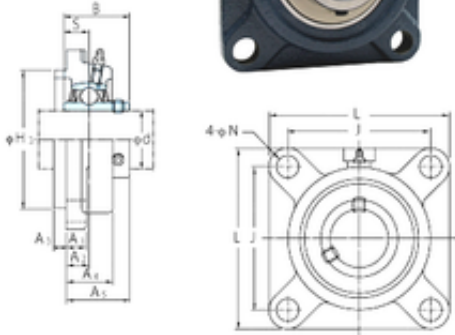




KFY MANUFACTURING MEXICO LIMITED

FYH UCFS314-44 bearing units

Bearing No. UCFS314-44



UCFS314-44 Bearing 2D drawings and 3D CAD models

Bore Diameter	69,85 mm
d	69,85 mm
H3	185 mm
A4	43 mm
A5	63 mm
A1	25 mm
B	78 mm
J	178 mm
L	226 mm
N	25 mm
S	33 mm
Bolt (G)	M22
A2	18 mm
A3	18 mm
Weight	11,2 Kg
Basic dynamic load rating (C)	104 kN
Basic static load rating (C0)	68,2 kN