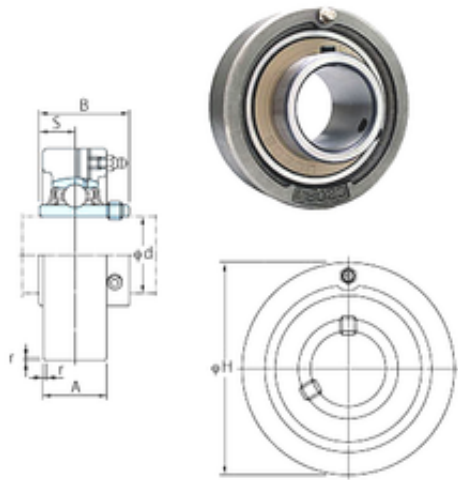




KFY MANUFACTURING MEXICO LIMITED

FYH UCC206-18 bearing units

Bearing No. UCC206-18



| | |
|-------------------------------|-----------|
| Bore Diameter | 28,575 mm |
| Width | 38,1 mm |
| d | 28,575 mm |
| r | 1,5 mm |
| A | 27 mm |
| B | 38,1 mm |
| H | 85 mm |
| S | 15,9 mm |
| Weight | 0,81 Kg |
| Basic dynamic load rating (C) | 19,5 kN |
| Basic static load rating (C0) | 11,3 kN |

UCC206-18 Bearing 2D drawings and 3D CAD models