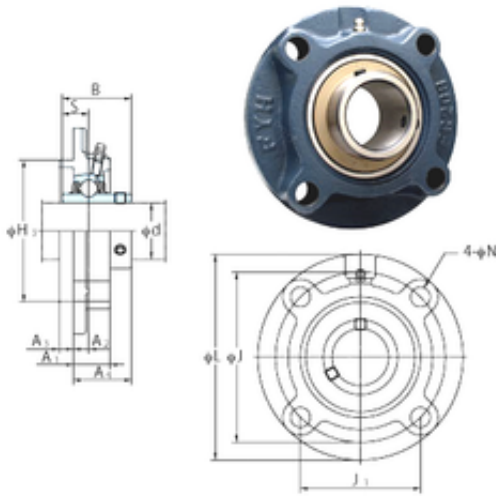




KFY MANUFACTURING MEXICO LIMITED

FYH UCFC211-35 bearing units

Bearing No. UCFC211-35



UCFC211-35 Bearing 2D drawings and 3D CAD models

Bore Diameter	55,5625 mm
d	55,5625 mm
H3	125 mm
A4	46,4 mm
A1	31 mm
B	55,6 mm
J	150 mm
L	185 mm
N	19 mm
S	22,2 mm
Bolt (G)	M16
A2	13 mm
A3	12 mm
J1	106,1 mm
Weight	4,2 Kg
Basic dynamic load rating (C)	43,4 kN
Basic static load rating (C0)	29,4 kN