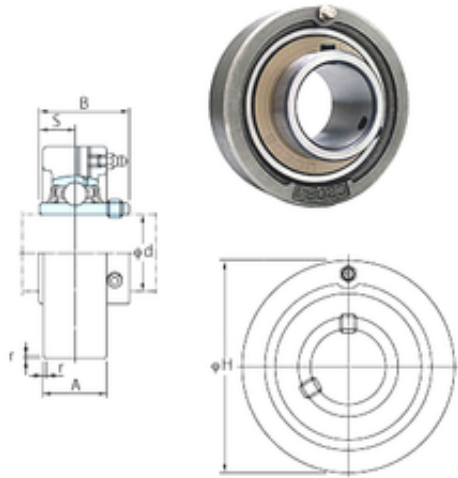




# KFY MANUFACTURING MEXICO LIMITED

## FYH UCC210-30 bearing units



Bearing No. UCC210-30

Bore Diameter	47,625 mm
Width	51,6 mm
d	47,625 mm
r	2 mm
A	33 mm
B	51,6 mm
H	120 mm
S	19 mm
Weight	2 Kg
Basic dynamic load rating (C)	35,1 kN
Basic static load rating (C0)	23,3 kN

UCC210-30 Bearing 2D drawings and 3D CAD models