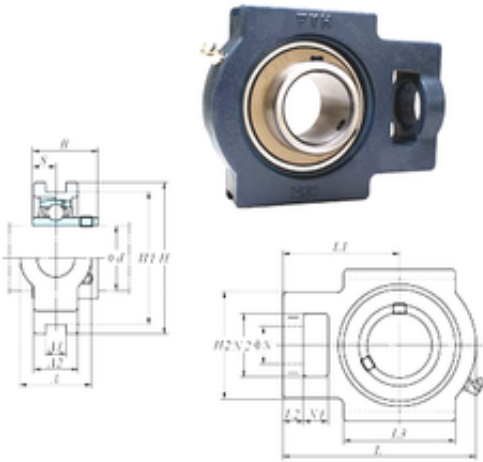




# KFY MANUFACTURING MEXICO LIMITED

## FYH UCT206-19E bearing units

Bearing No. UCT206-19E



UCT206-19E Bearing 2D drawings and 3D CAD models

Bore Diameter	30,1625 mm
d	30,1625 mm
L2	10 mm
L3	57 mm
A	37 mm
A1	13,5 mm
B	38,1 mm
H	102 mm
H1	88,9 mm
H2	56 mm
L	113 mm
L1	70 mm
N	22 mm
N1	16 mm
S	15,9 mm
A2	28 mm
N2	37 mm
Weight	1,3 Kg
Basic dynamic load rating (C)	19,5 kN
Basic static load rating (C0)	11,3 kN