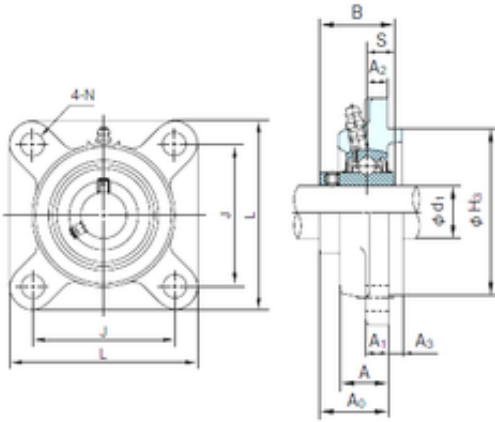




KFY MANUFACTURING MEXICO LIMITED

NACHI UCFS305 bearing units

Bearing No. UCFS305



UCFS305 Bearing 2D drawings and 3D CAD models

Bore Diameter	25 mm
d1	25 mm
H3	80 mm
A0	32 mm
A	22 mm
A1	13 mm
B	38 mm
J	80 mm
L	110 mm
N	16 mm
S	15 mm
Bolt (G)	M14
A2	9 mm
A3	7 mm