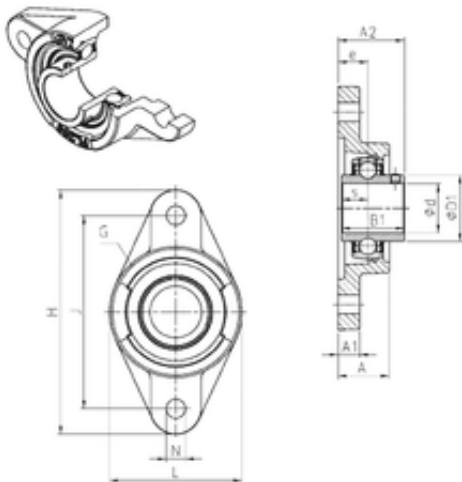




KFY MANUFACTURING MEXICO LIMITED



SNR UCFL310 bearing units

Bearing No. UCFL310

Bore Diameter	50 mm
d	50 mm
e	28 mm
s	22 mm
A	48 mm
A1	19 mm
B1	61 mm
D1	68,7 mm
H	240 mm
J	187 mm
L	140 mm
N	25 mm
Thread (G)	M6x1
A2	67 mm
Weight	4 Kg
Basic dynamic load rating (C)	62 kN

UCFL310 Bearing 2D drawings and 3D CAD models