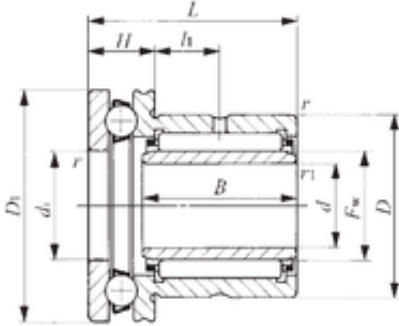




KFY MANUFACTURING MEXICO LIMITED

45 mm x 62 mm x 25 mm IKO NAXI 4535 complex bearings



Bearing No. NAXI 4535

NAXI 4535 Bearing 2D drawings and 3D CAD models

Bore Diameter	45 mm
Outer Diameter	62 mm
d	45 mm
Fw	50 mm
D	62 mm
D1	70 mm
B	25 mm
d1	50 mm
r min.	0,6 mm
r1 min.	0,3 mm
H	14 mm
L	35 mm
L1	10 mm
da min.	62 mm
db	49 mm
Weight	0,358 Kg
Dynamic load rating radial (C)	42,2 kN
Dynamic load rating axial (C)	28,8 kN
Static load rating radial (C0)	83,4 kN
Static load rating axial (C0)	60,1 kN
Category	Bearings
Inventory	0.0
Manufacturer Name	IKO
Minimum Buy Quantity	N/A



KFY MANUFACTURING MEXICO LIMITED

Weight / Kilogram	0
Product Group	B04144