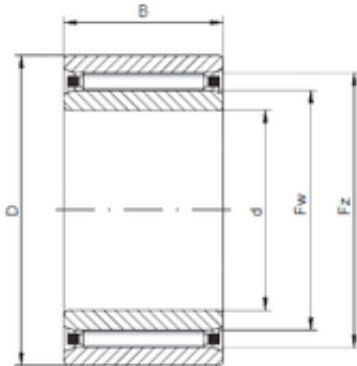




KFY MANUFACTURING MEXICO LIMITED

40 mm x 55 mm x 17 mm ISO NAO40x55x17
cylindrical roller bearings



Bearing No. NAO40x55x17

Size	40x55x17 mm
Bore Diameter	40 mm
Outer Diameter	55 mm
Width	17 mm
d	40 mm
Fw	45 mm
D	55 mm
Ew	50 mm
B	17 mm
C	17 mm

NAO40x55x17 Bearing 2D drawings and 3D CAD models