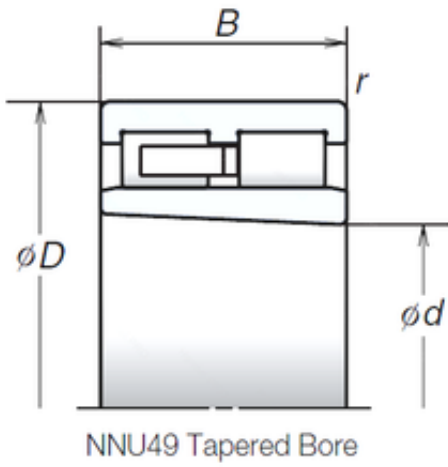




KFY MANUFACTURING MEXICO LIMITED



200 mm x 280 mm x 80 mm NSK
 NNU4940MBKR cylindrical roller bearings

Bearing No. NNU4940MBKR

Size	200x280x80 mm
Bore Diameter	200 mm
Outer Diameter	280 mm
Width	80 mm
d	200 mm
F	223 mm
D	280 mm
B	80 mm
C	80 mm
r min.	2,1 mm
Weight	15,3 Kg
Basic dynamic load rating (C)	570 kN
Basic static load rating (C0)	1 220 kN
(Grease) Lubrication Speed	3 200 r/min

NNU4940MBKR Bearing 2D drawings and 3D CAD models