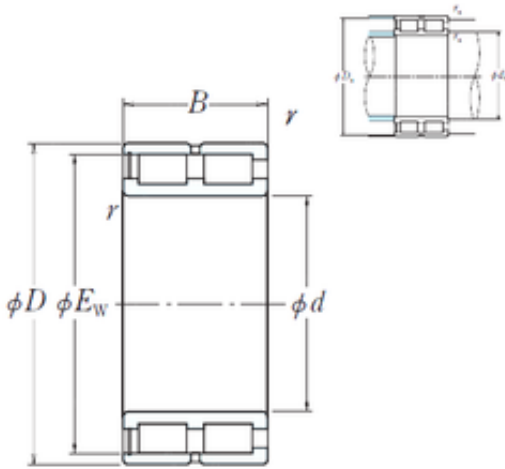




KFY MANUFACTURING MEXICO LIMITED

420 mm x 560 mm x 140 mm NSK
NCF4984V cylindrical roller bearings

Bearing No. NCF4984V



NCF4984V Bearing 2D drawings and 3D CAD models

Size	420x523x140 mm
Bore Diameter	420 mm
Outer Diameter	523 mm
Width	140 mm
d	420 mm
D	560 mm
E _w	523 mm
B	140 mm
C	140 mm
r min.	4 mm
Da	533 mm
ra max.	3 mm
da	445 mm
Weight	98,5 Kg
Basic dynamic load rating (C)	2290 kN