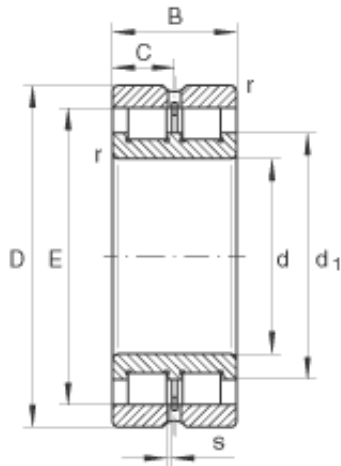




KFY MANUFACTURING MEXICO LIMITED



280 mm x 380 mm x 100 mm INA SL024956
cylindrical roller bearings

Bearing No. SL024956

SL024956 Bearing 2D drawings and 3D CAD models

Size	280x380x100 mm
Bore Diameter	280 mm
Outer Diameter	380 mm
Width	100 mm
d	280 mm
D	380 mm
B	100 mm
C	50 mm
d ₁	316,5 mm
E	353,34 mm
r _{min}	2,1 mm
s	6 mm / Axial displacement
	NNCL4956V / Designation to DIN 5412
m	33,1 kg / Weight
C _r	1150000 N / Dynamic load rating (radial)
C _{0r}	2650000 N / Static load rating (radial)
C _{ur}	295000 N / Fatigue limit load, radial
n _G	940 1/min / Limiting speed