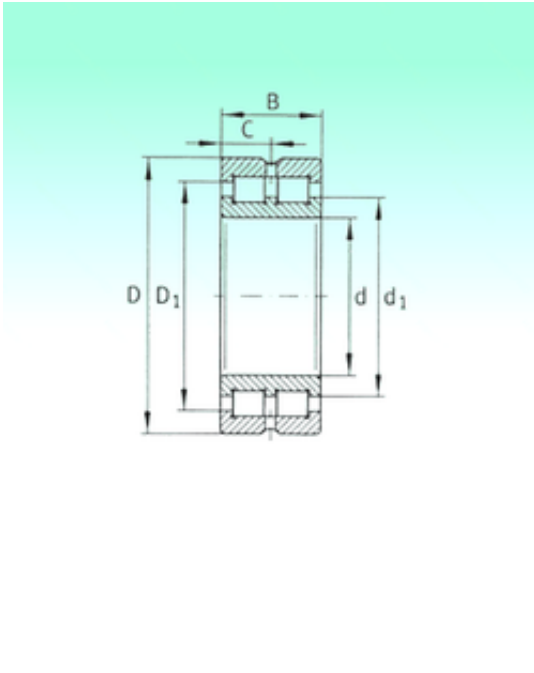




KFY MANUFACTURING MEXICO LIMITED



SL014960 Bearing 2D drawings and 3D CAD models

300 mm x 420 mm x 118 mm NBS SL014960 cylindrical roller bearings

Bearing No. SL014960

Size	300x420x118 mm
Bore Diameter	300 mm
Outer Diameter	420 mm
Width	118 mm
d	300 mm
D	420 mm
B	118 mm
C	118 mm
d1	340,7 mm
C	59 mm
D1	374,3 mm
Weight	53 Kg
Basic dynamic load rating (C)	1650 kN
Basic static load rating (C0)	3800 kN