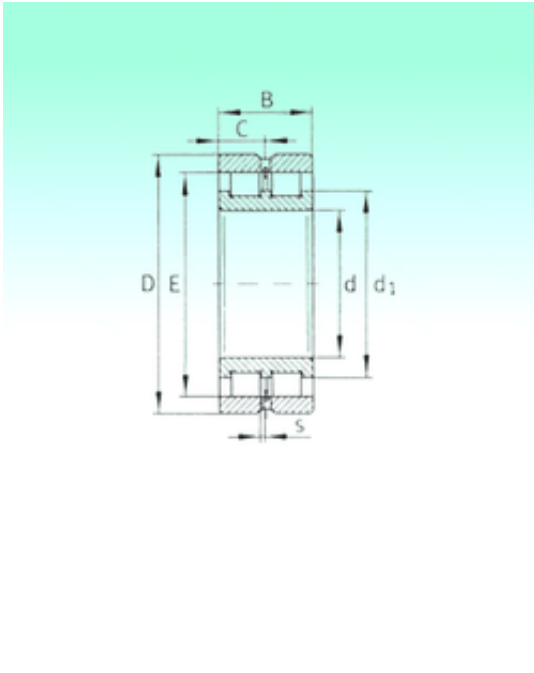




KFY MANUFACTURING MEXICO LIMITED



SL024860 Bearing 2D drawings and 3D CAD models

300 mm x 380 mm x 80 mm NBS SL024860 cylindrical roller bearings

Bearing No. SL024860

Size	300x356.7x80 mm
Bore Diameter	300 mm
Outer Diameter	356,7 mm
Width	80 mm
d	300 mm
D	380 mm
E	356,7 mm
B	80 mm
C	80 mm
d1	327,9 mm
C	40 mm
S	6 mm
Weight	22 Kg
Basic dynamic load rating (C)	830 kN
Basic static load rating (C0)	2120 kN