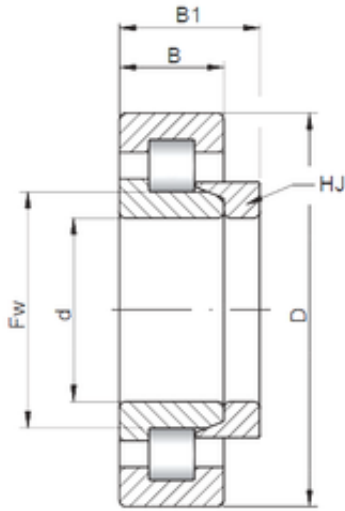




# KFY MANUFACTURING MEXICO LIMITED



105 mm x 260 mm x 60 mm ISO NH421  
cylindrical roller bearings

Bearing No. NH421

Dimensione	105x260x60 mm
Marchio	ISO
Diametro del foro	105 mm
Diametro esterno	260 mm
Larghezza	60 mm
d	105 mm
D	260 mm
B	60 mm
C	60 mm
B1	16 mm
B2	27 mm

NH421 Bearing 2D drawings and 3D CAD models