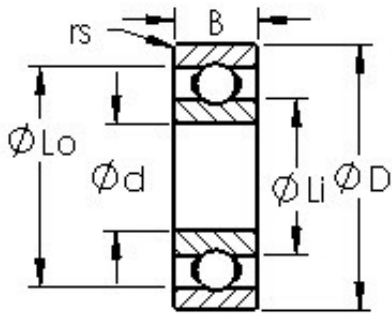




# KFY MANUFACTURING MEXICO LIMITED



## AST SMR128 deep groove ball bearings

Bearing No. SMR128

Size	8x12x2.5 mm
Bore Diameter	8 mm
Outer Diameter	12 mm
Width	2,5 mm
Bearing Type	Open
Bore Dia (d)	8.0000
Outer Dia (D)	12.0000
Width (B)	2.5000
Radius (min) (rs)	0.150
Dynamic Load Rating (Cr)	462
Static Load Rating (Cor)	219
Max Speed (Grease) (X1000 RPM)	40
Max Speed (Oil) (X1000 RPM)	48
Max. Shaft Shoulder Dia. Inner (Li)	9.1
Min. Housing Shoulder Dia., Outer (Lo)	10.9
Ball Qty	12
Ball Dia (Dw)	1.2000
Weight (g)	0.70
Precision	A1
Standard Clearance	K25
Material	Martensitic Stainless Steel

SMR128 Bearing 2D drawings and 3D CAD models