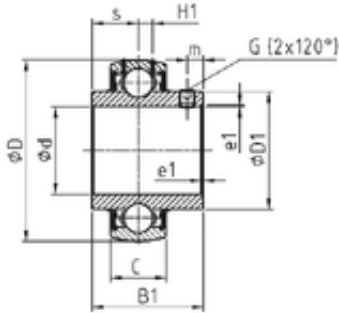




KFY MANUFACTURING MEXICO LIMITED



SNR UC307 deep groove ball bearings

Bearing No. UC307

Size	35x80x25 mm
Bore Diameter	35 mm
Outer Diameter	80 mm
Width	25 mm
d	35 mm
D	80 mm
B1	48 mm
C	25 mm
e	2 mm
a	4 mm
m	8 mm
s	19 mm
D1	48,9 mm
H1	7,2 mm
Thread (G)	M8x1
Weight	0,71 Kg
Basic dynamic load rating (C)	33,5 kN

UC307 Bearing 2D drawings and 3D CAD models