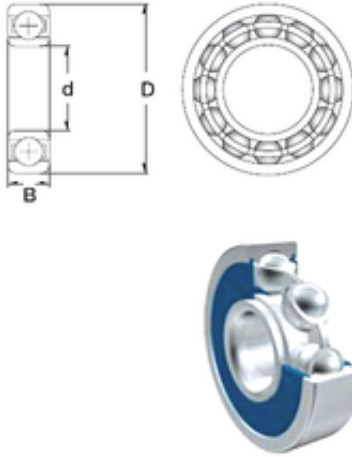




KFY MANUFACTURING MEXICO LIMITED



22,225 mm x 50,8 mm x 14,287 mm ZEN
S1640-2RS deep groove ball bearings

Bearing No. S1640-2RS

Size	22.225x50.8x14.287 mm
Bore Diameter	22,225 mm
Outer Diameter	50,8 mm
Width	14,287 mm
d	22,225 mm
D	50,8 mm
B	14,287 mm
C	14,287 mm
Weight	0,111 Kg
Basic dynamic load rating (C)	4,895 kN

S1640-2RS Bearing 2D drawings and 3D CAD models