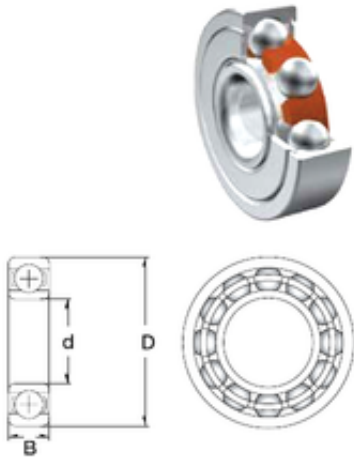




# KFY MANUFACTURING MEXICO LIMITED

15 mm x 32 mm x 9 mm ZEN 6002-2Z.T9H.C3  
deep groove ball bearings

Bearing No. 6002-2Z.T9H.C3



6002-2Z.T9H.C3 Bearing 2D drawings and 3D CAD models

Size	15x32x9 mm
Bore Diameter	15 mm
Outer Diameter	32 mm
Width	9 mm
d	15 mm
D	32 mm
B	9 mm
C	9 mm
Weight	0,031 Kg
Basic dynamic load rating (C)	5,6 kN
Basic static load rating (C0)	2,83 kN