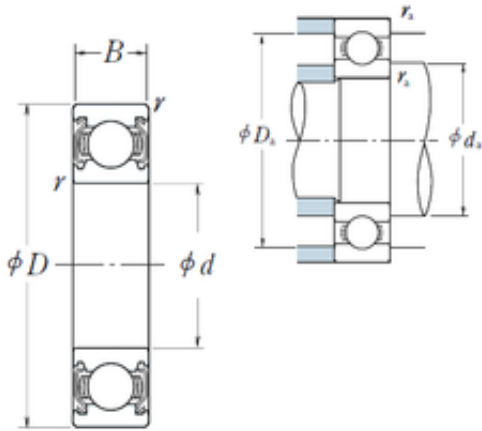




# KFY MANUFACTURING MEXICO LIMITED



120 mm x 180 mm x 28 mm NSK 6024ZZ deep groove ball bearings

Bearing No. 6024ZZ

6024ZZ Bearing 2D drawings and 3D CAD models

Size	120x180x28 mm
Bore Diameter	120 mm
Outer Diameter	180 mm
Width	28 mm
d	120 mm
D	180 mm
B	28 mm
C	28 mm
r min.	2 mm
da min.	129 mm
da max	134,5 mm
Da max.	171 mm
ra max.	2 mm
Weight	2,08 Kg
Basic dynamic load rating (C)	88 kN
Basic static load rating (C0)	80 kN
(Grease) Lubrication Speed	3 600 r/min
Category	Single Row Ball Bearings
Inventory	0.0
Manufacturer Name	NSK
Minimum Buy Quantity	N/A
Weight / Kilogram	2.1
Product Group	B00308
Enclosure	2 Metal Shields
Precision Class	ABEC 1   ISO P0



## KFY MANUFACTURING MEXICO LIMITED

Maximum Capacity / Filling Slot	No
Rolling Element	Ball Bearing
Snap Ring	No
Internal Special Features	No
Cage Material	Steel
Internal Clearance	C0-Medium
Inch - Metric	Metric
Long Description	120MM Bore; 180MM Outside Diameter; 28MM Outer Race Diameter; 2 Metal Shields; Ball Bearing; ABEC 1   ISO P0; No Filling Slot; No Snap Ring; No Internal Special Features
Category	Single Row Ball Bearing
UNSPSC	31171504
Harmonized Tariff Code	8482.10.50.68
Noun	Bearing
Keyword String	Ball
Manufacturer URL	<a href="http://www.nskamericas.com">http://www.nskamericas.com</a>
Manufacturer Item Number	6024ZZ
Weight / LBS	2.14
Bore	4.724 Inch   120 Millimeter
Outside Diameter	7.087 Inch   180 Millimeter
Outer Race Width	1.102 Inch   28 Millimeter
bore diameter:	120 mm
static load capacity:	80000 N
outside diameter:	180 mm
precision rating:	ABEC 1 (ISO Class Normal)
overall width:	28 mm
finish/coating:	Uncoated
bore type:	Round



## KFY MANUFACTURING MEXICO LIMITED

cage material:	Steel
closure type:	Double Shielded
outer ring width:	28 mm
row type & fill slot:	Single Row Non-Fill Slot
fillet radius:	2 mm
internal clearance:	C0
maximum rpm:	4300 RPM
operating temperature range:	-10 to +110 ° C
series:	60
dynamic load capacity:	88000 N
SRI	9.86
hidYobi	6024ZZ
LangID	1
D_	180
SREX	0.04
B_	28
da min	129
hidTable	ecat_NSRDGB
SRE	9.86
mass	2.08
GRS rpm	3600
ra	2
SRIX	0.04
D_a	171
SRIN	-0.04
C0	80
fo	15.7
SREN	-0.04
DE_	169.05
Prod_Type3	DGGB_SR_ZZ
DA_	19.05
bomp	0



## KFY MANUFACTURING MEXICO LIMITED

Z_	14
yobi	6024ZZ
C_conv	88000
ALPHA_	0
SDM_	150
r	2
KBRG	6141
SBRG	10
DI_	130.95