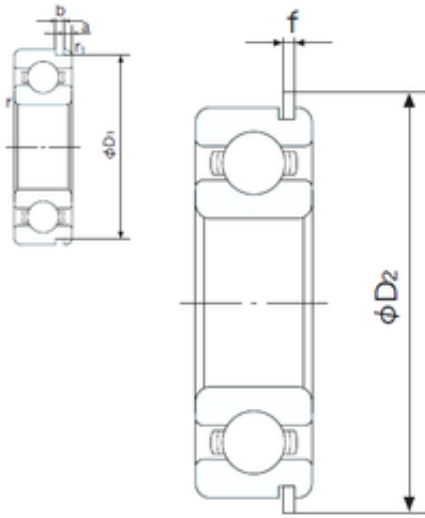




## KFY MANUFACTURING MEXICO LIMITED



28 mm x 58 mm x 16 mm NACHI 62/28NR  
deep groove ball bearings

Bearing No. 62/28NR

62/28NR Bearing 2D drawings and 3D CAD models

Size	28x58x16 mm
Bore Diameter	28 mm
Outer Diameter	58 mm
Width	16 mm
d	28 mm
D	58 mm
B	16 mm
C	16 mm
a	2.46 mm
b	1.35 mm
f	1.12 mm
r min.	1 mm
r1 min.	0.5 mm
D1	55.6 mm
D2	63.7 mm
Weight	0.175 Kg
Basic dynamic load rating (C)	17,9 kN
Basic static load rating (C0)	9,75 kN
(Grease) Lubrication Speed	11000 r/min
Bore Type	Cylindrical Bore
Configuration	Single Row
Enclosure	Snap Ring Groove with Snap Ring
Bore Size	28 mm
Outside Diameter	58 mm



## KFY MANUFACTURING MEXICO LIMITED

Width	16 mm
Fillet Radius/Chamfer	1 mm
r1	0.5 mm
Snap Ring Width	1.1 mm
Snap Ring Outside Diameter	63.7 mm
D1 (max)	55.6 mm
a (max)	2.5 mm
b (min)	1.4 mm
Dynamic Load Rating	17,900 N
Static Load Rating	9,750 N
Limiting Speed - Grease	12,000 rpm
Limiting Speed - Oil	14,000 rpm
Factor fo	13.1
Radial Clearance	0.005 to 0.020 mm
da (min)	34 mm
Da (max)	52 mm
Dx (min)	64.5 mm
ra (max)	1 mm
Cy (max)	3.3 mm