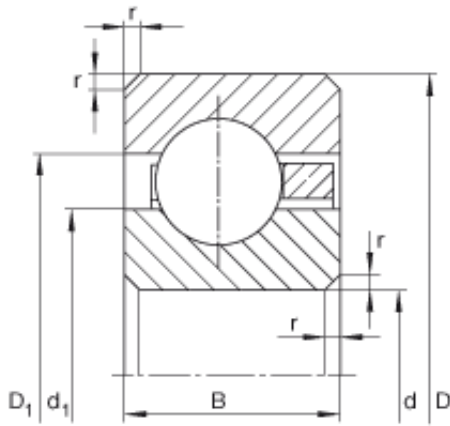




KFY MANUFACTURING MEXICO LIMITED



4 1/4 inch x 120,65 mm x 6,35 mm INA
CSCA042 deep groove ball bearings

Bearing No. CSCA042

Size	107.95x120.65x6.35 mm
Bore Diameter	107,95 mm
Outer Diameter	120,65 mm
Width	6,35 mm
d	107,95 mm
d	4 1/4 inch
D	120,65 mm
B	6,35 mm
D ₁	115,9 mm
d ₁	112,6 mm
r _{min}	0,6 mm
m	0,09 kg / Weight
C _r	4300 N / Dynamic load rating (radial)
C _{0r}	5500 N / Static load rating (radial)

CSCA042 Bearing 2D drawings and 3D CAD models