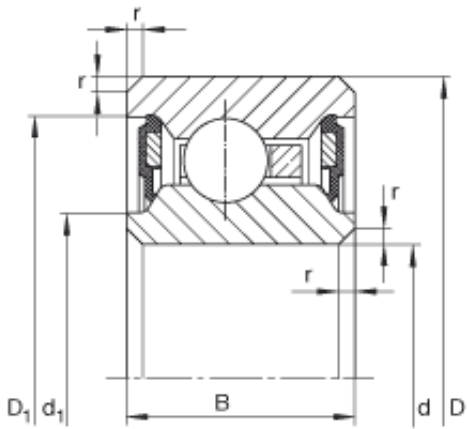




# KFY MANUFACTURING MEXICO LIMITED



7 inch x 196,85 mm x 12,7 mm INA  
CSCU070-2RS deep groove ball bearings

Bearing No. CSCU070-2RS

CSCU070-2RS Bearing 2D drawings and 3D CAD models

Size	177.8x196.85x12.7 mm
Bore Diameter	177,8 mm
Outer Diameter	196,85 mm
Width	12,7 mm
d	177,8 mm
d	7 inch
D	196,85 mm
B	12,7 mm
D <sub>1</sub>	191,4 mm
d <sub>1</sub>	181,6 mm
r <sub>min</sub>	0,38 mm
m	0,42 kg / Weight
C <sub>r</sub>	9500 N / Dynamic load rating (radial)
C <sub>0r</sub>	14200 N / Static load rating (radial)
Category	Single Row Ball Bearings
Inventory	0.0
Manufacturer Name	SCHAEFFLER GROUP
Minimum Buy Quantity	N/A
Weight / Kilogram	0.421
Product Group	B00308
Enclosure	2 Seals
Precision Class	ABEC 1   ISO P0
Maximum Capacity / Filling Slot	No



## KFY MANUFACTURING MEXICO LIMITED

Rolling Element	Ball Bearing
Snap Ring	No
Internal Special Features	No
Cage Material	Steel
Enclosure Type	Contact Seal
Internal Clearance	C0-Medium
Inch - Metric	Inch
Long Description	7" Bore; 7-3/4" Outside Diameter; 1/2" Outer Race Width; 2 Seals; Ball Bearing; ABEC 1   ISO P0; No Filling Slot; No Snap Ring; No Internal Special Features; C0-Medium Internal Clearanc
Other Features	Thin Section Bearing   Buna-N Rubber Seal
Category	Single Row Ball Bearing
UNSPSC	31171504
Harmonized Tariff Code	8482.10.50.68
Noun	Bearing
Keyword String	Ball
Manufacturer URL	<a href="http://www.ina.com">http://www.ina.com</a>
Weight / LBS	0.9259
Bore	7 Inch   177.8 Millimeter
Outside Diameter	7.75 Inch   196.85 Millimeter
Outer Race Width	0.5 Inch   12.7 Millimeter
Inner Race Width	0 Inch   0 Millimeter