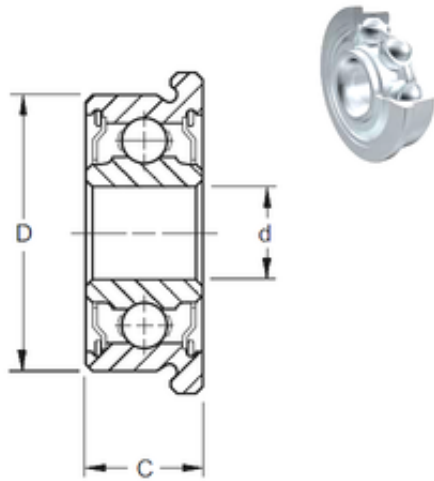




KFY MANUFACTURING MEXICO LIMITED



3,967 mm x 7,938 mm x 3,175 mm ZEN
SFR155-2Z deep groove ball bearings

Bearing No. SFR155-2Z

Size	3.967x7.938x3.175 mm
Bore Diameter	3,967 mm
Outer Diameter	7,938 mm
Width	3,175 mm
d	3,967 mm
D	7,938 mm
B	3,175 mm
C	3,175 mm
Basic dynamic load rating (C)	0,359 kN
Basic static load rating (C0)	0,15 kN
(Grease) Lubrication Speed	53000 r/min

SFR155-2Z Bearing 2D drawings and 3D CAD models