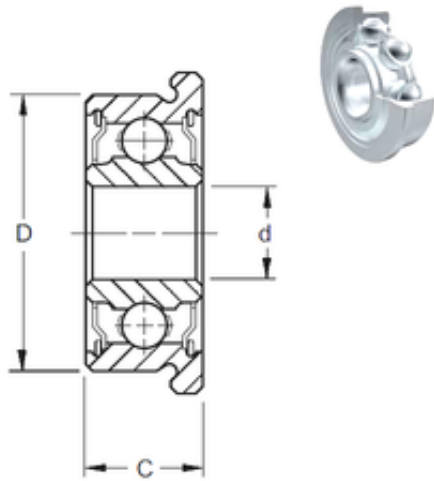




# KFY MANUFACTURING MEXICO LIMITED



9 mm x 17 mm x 5 mm ZEN SF689-2Z deep groove ball bearings

Bearing No. SF689-2Z

Size	9x17x5 mm
Bore Diameter	9 mm
Outer Diameter	17 mm
Width	5 mm
d	9 mm
D	17 mm
B	5 mm
C	5 mm
Basic dynamic load rating (C)	1,327 kN
Basic static load rating (C0)	0,668 kN

SF689-2Z Bearing 2D drawings and 3D CAD models