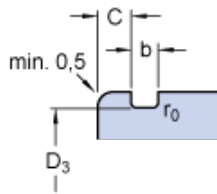
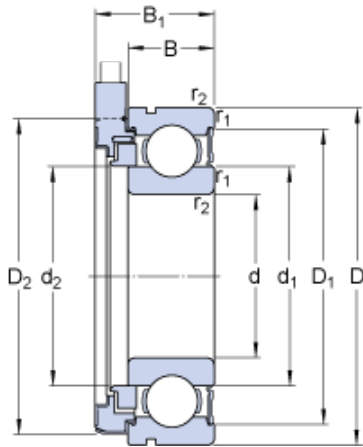




KFY MANUFACTURING MEXICO LIMITED



45 mm x 85 mm x 19 mm SKF
BMB-6209/080S2/UB008A deep groove ball bearings

Bearing No. BMB-6209/080S2/UB008A

BMB-6209/080S2/UB008A Bearing 2D drawings and 3D CAD models

Size	85x45x25.2 mm
Bore Diameter	85 mm
Outer Diameter	45 mm
Width	25,2 mm
d	45 mm
D	85 mm
B ₁	25.2 mm
B	19 mm
d ₁	57.6 mm
d ₂	53 mm
D ₁	75.2 mm
D ₂	78.86 mm
D ₃	81.81 mm
C	3.28 mm
b	1.9 mm
r ₀	0.6 mm
r _{1,2} - min.	1.1 mm
L	546.1 mm
Tolerance cable length L - ±	10 mm
d _a - min.	51.5 mm
d _b - min.	51.5 mm
d _b - max.	52.4 mm
D _a - max.	78.5 mm



KFY MANUFACTURING MEXICO LIMITED

r_a - max.	1 mm
Cable connector type	Free cable end
Number of pulses per revolution - N	80
Period accuracy	$\pm 5\%$
Phase shift output signal	90°
Tolerance phase shift output signal	$\pm 30^\circ$
Basic dynamic load rating - C	33.2 kN
Basic static load rating - C_0	21.6 kN
Fatigue load limit - P_u	0.915 kN
Limiting speed	5000 r/min
Calculation factor - k_r	0.025
Calculation factor - f_0	14
Mass sensor unit	0.537 kg
B_1	25.2 mm
d_1	57.6 mm
d_2	53 mm
D_1	75.2 mm
D_2	78.86 mm
D_3	81.81 mm
r_0	0.6 mm
$r_{1,2}$ min.	1.1 mm
\pm	10 mm
d_a min.	51.5 mm
d_b min.	51.5 mm
d_b max.	52.4 mm
D_a max.	78.5 mm
r_a max.	1 mm
Number of pulses per revolution N	80
Period accuracy \pm	5 %



KFY MANUFACTURING MEXICO LIMITED

Phase shift output signal tolerance \pm	30 °
Basic dynamic load rating C	33.2 kN
Basic static load rating C_0	21.6 kN
Fatigue load limit P_u	0.915 kN
Calculation factor k_r	0.025
Calculation factor f_0	14
Snap ring	SP 85