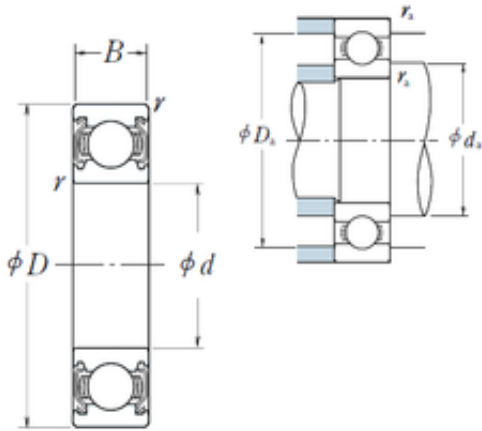




KFY MANUFACTURING MEXICO LIMITED



150 mm x 210 mm x 28 mm NSK 6930ZZS deep groove ball bearings

Bearing No. 6930ZZS

6930ZZS Bearing 2D drawings and 3D CAD models

Size	150x210x28 mm
Bore Diameter	150 mm
Outer Diameter	210 mm
Width	28 mm
d	150 mm
D	210 mm
B	28 mm
C	28 mm
r min.	2 mm
da min.	159 mm
da max	166 mm
Da max.	201 mm
ra max.	2 mm
Weight	3,01 Kg
Basic dynamic load rating (C)	85 kN
Basic static load rating (C0)	90,5 kN
(Grease) Lubrication Speed	2 600 r/min
SRI	9.04
hidYobi	6930ZZS
LangID	1
D_	210
SREX	0.03
B_	28
da min	159
hidTable	ecat_NSRDGB



KFY MANUFACTURING MEXICO LIMITED

SRE	9.04
mass	2.59
GRS rpm	2600
ra	2
SRIX	0.03
D_a	201
SRIN	-0.03
C0	90.5
fo	16.5
SREN	-0.03
DE_	197.462
Prod_Type3	DGBB_SR_ZZ
DA_	17.462
bomp	0
Z_	18
yobi	6930ZZS
C_conv	85000
ALPHA_	0
SDM_	180
r	2
KBRG	6141
SBRG	19
DI_	162.538