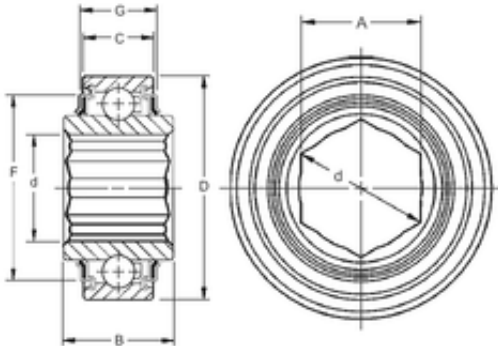




KFY MANUFACTURING MEXICO LIMITED

36,65 mm x 80 mm x 36,53 mm Timken
W208KRR8 deep groove ball bearings



Bearing No. W208KRR8

Size	36.65x80x36.53 mm
Bore Diameter	36,65 mm
Outer Diameter	80 mm
Width	36,53 mm
d	36,65 mm
D	80 mm
B	36,53 mm
C	18 mm
A	31,77 mm
F	68,43 mm
G	20,45 mm
Weight	0,658 Kg
Basic dynamic load rating (C)	36 kN

W208KRR8 Bearing 2D drawings and 3D CAD models